

E L I S



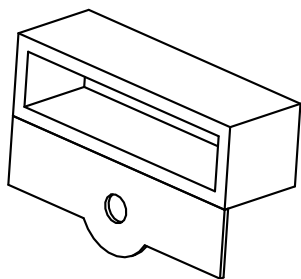
design

Návod na montáž

Dřevěná postel Easy edge

Dřevěná postel Easy edge

Ver. 1



P

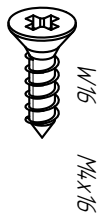
S50 - x12

W30 - x14

W16 - x32

P - x32

INBUS - x1



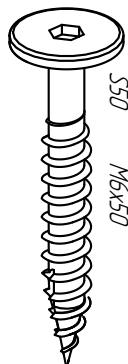
W16

M4x16



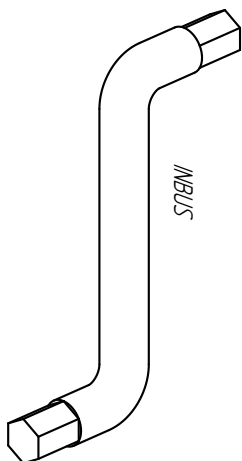
W30

M4x30

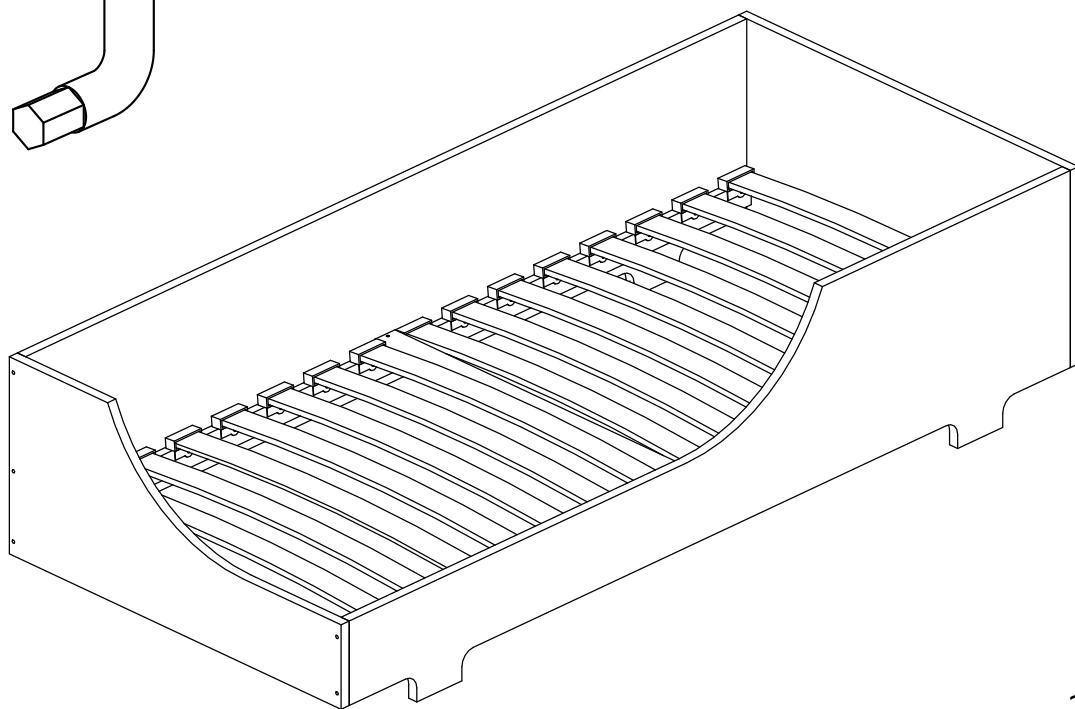


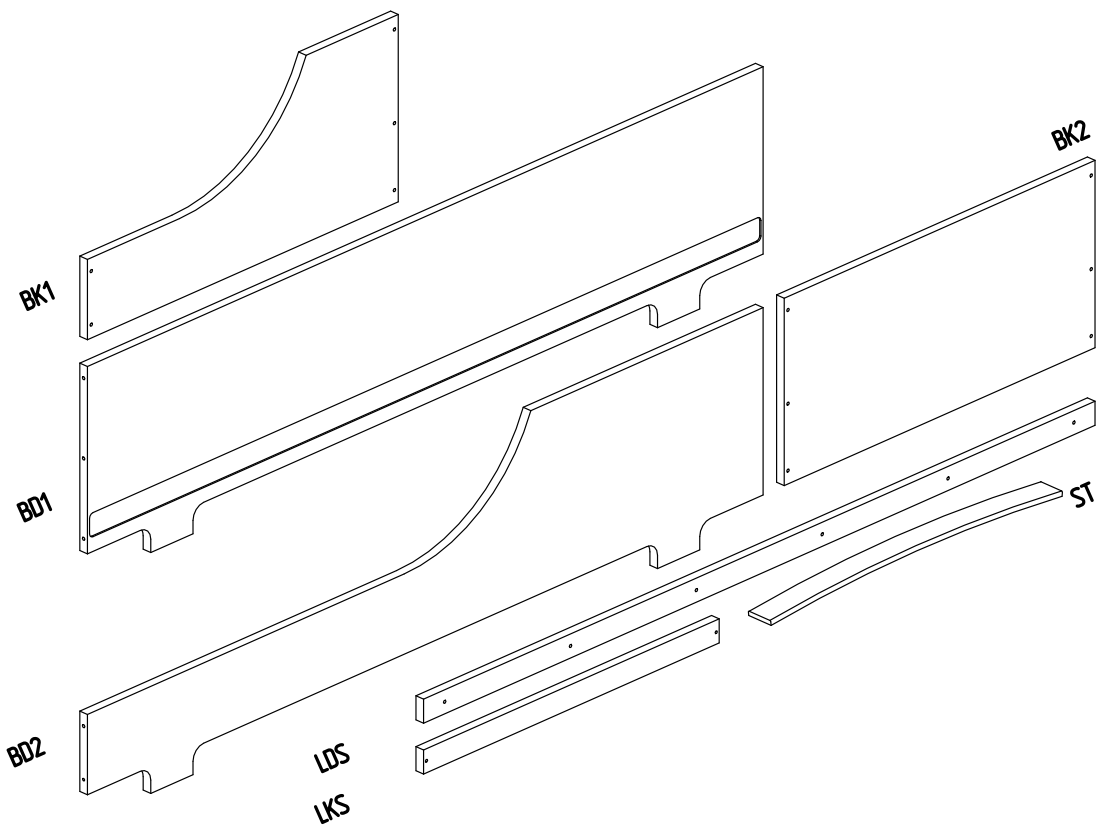
S50

M6x50

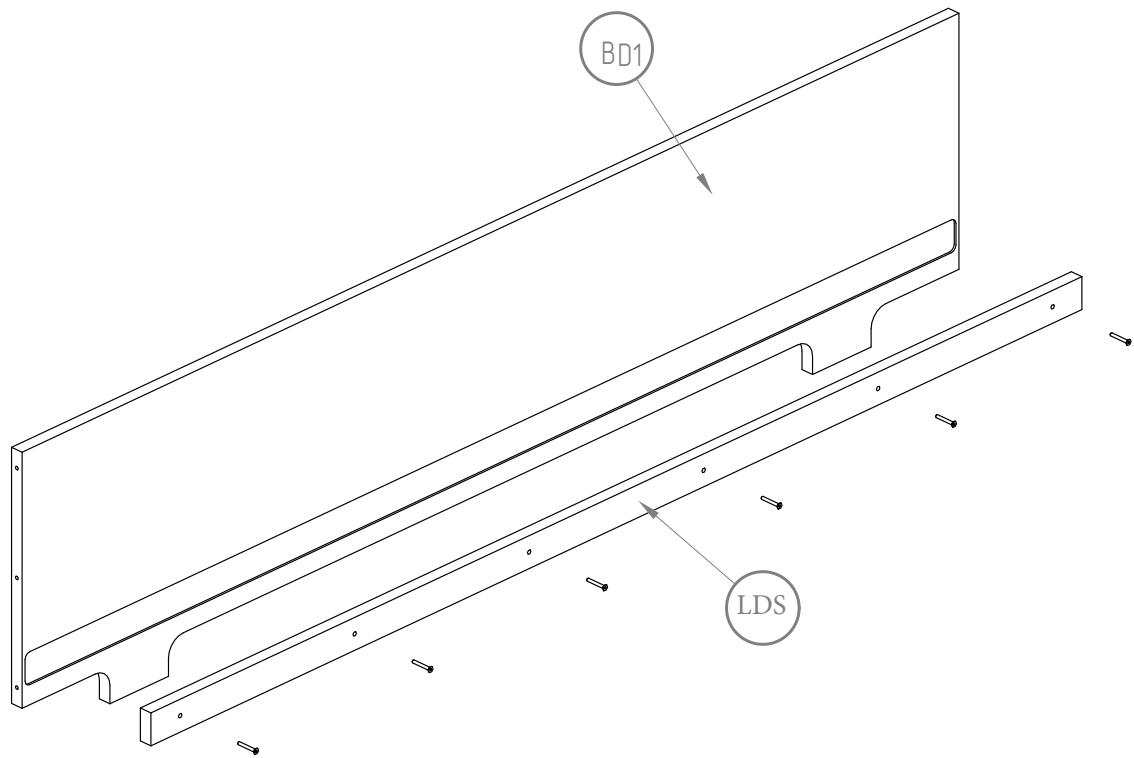
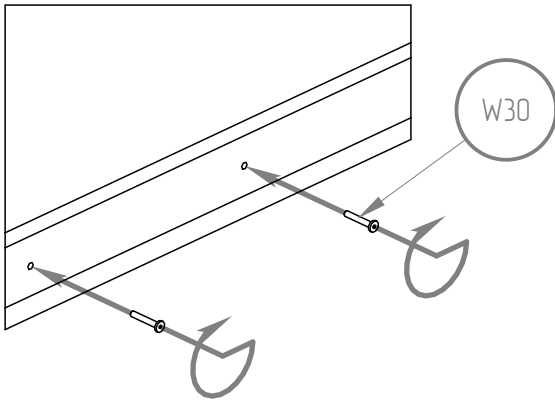


INBUS





- BK1 - x1*
- BK2 - x1*
- BD1 - x1*
- BD2 - x1*
- LDS - x2*
- LKS - x1*
- ST - x16*

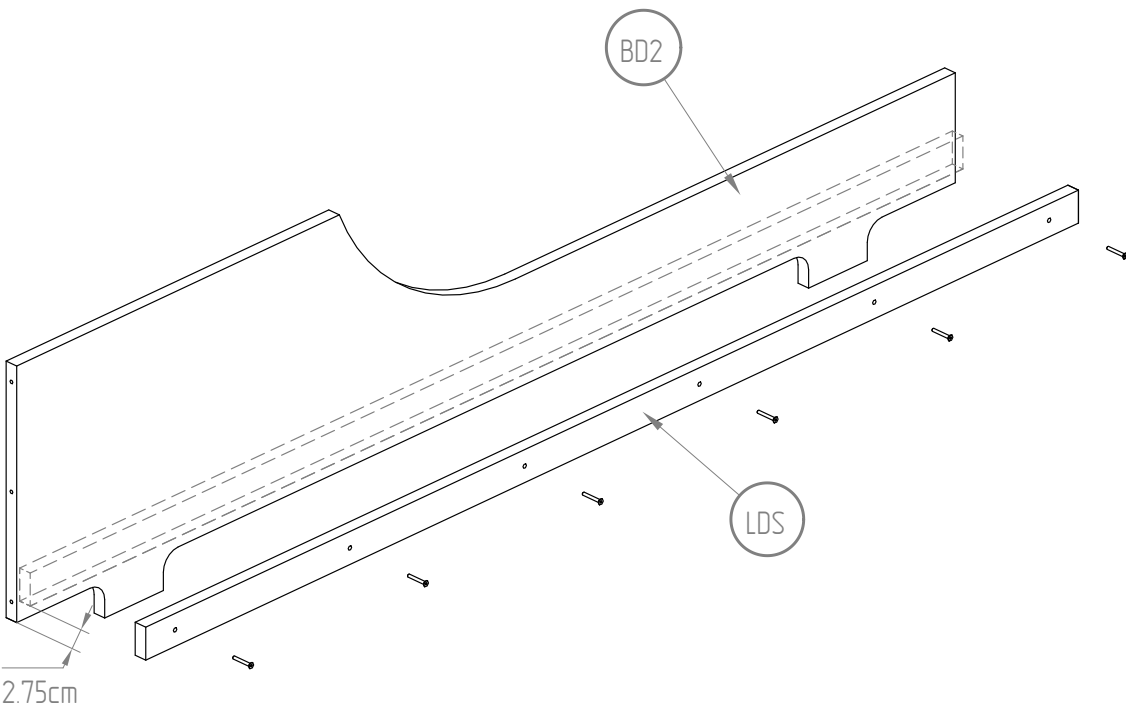
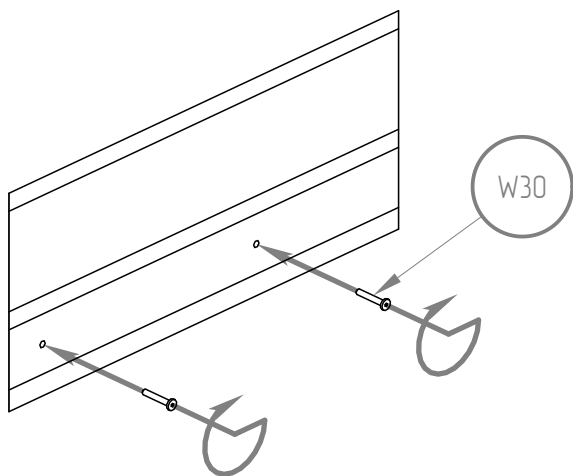


BD1 - x1
LDS - x1
W30 - x6

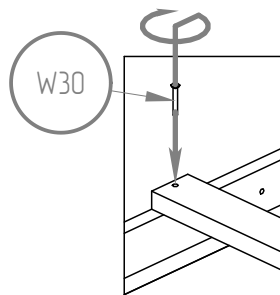
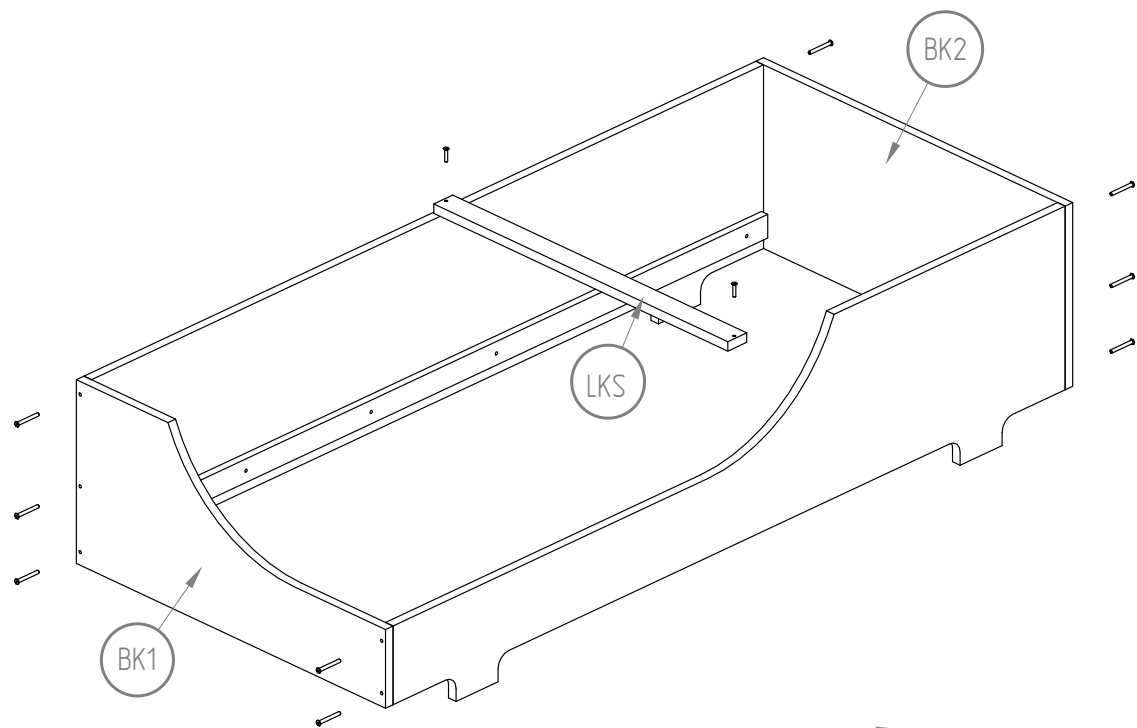
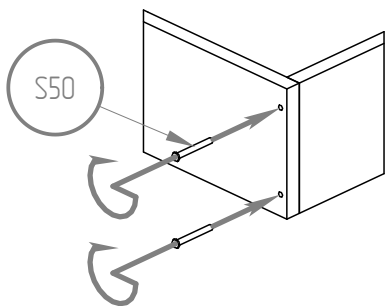
BD2 - x1

LDS - x1

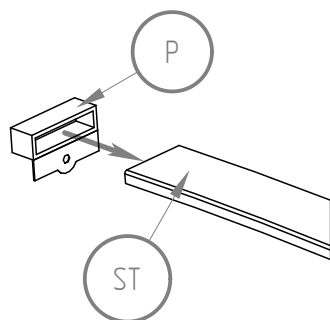
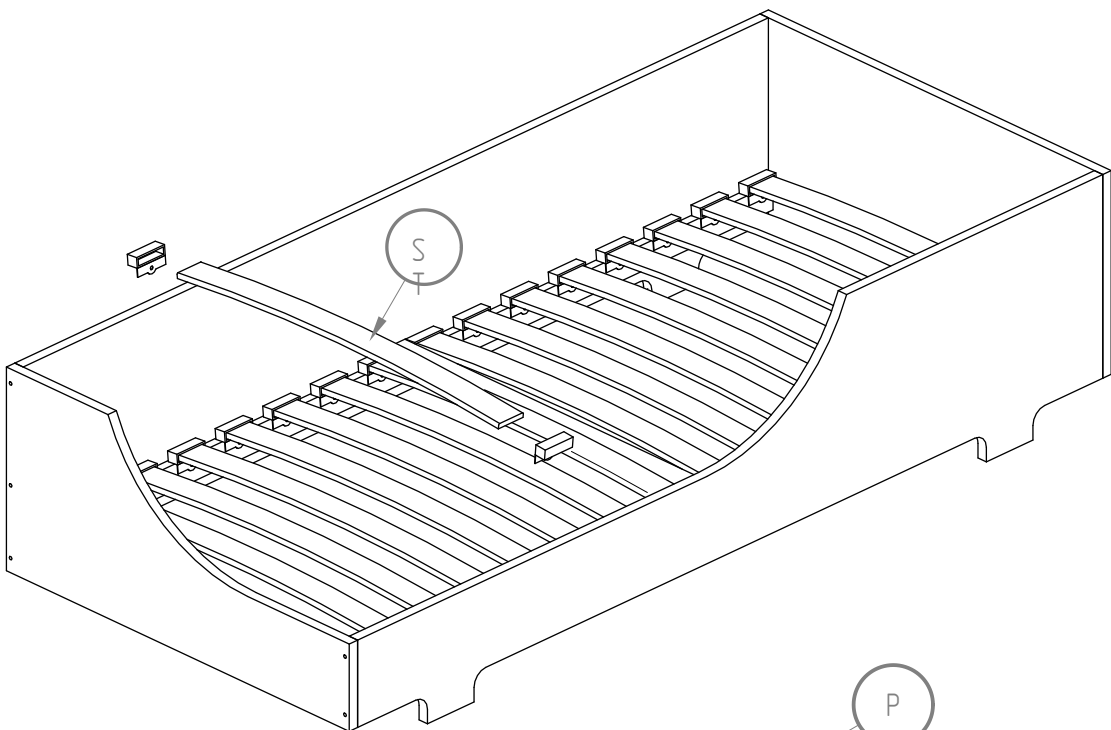
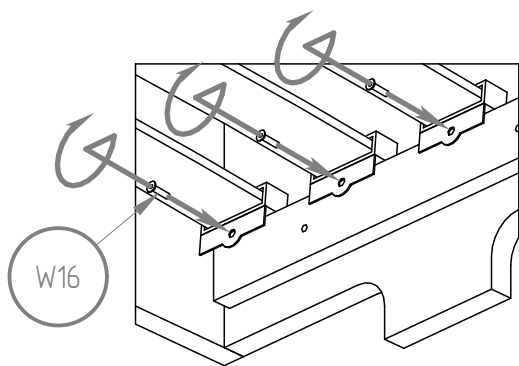
W30 - x6



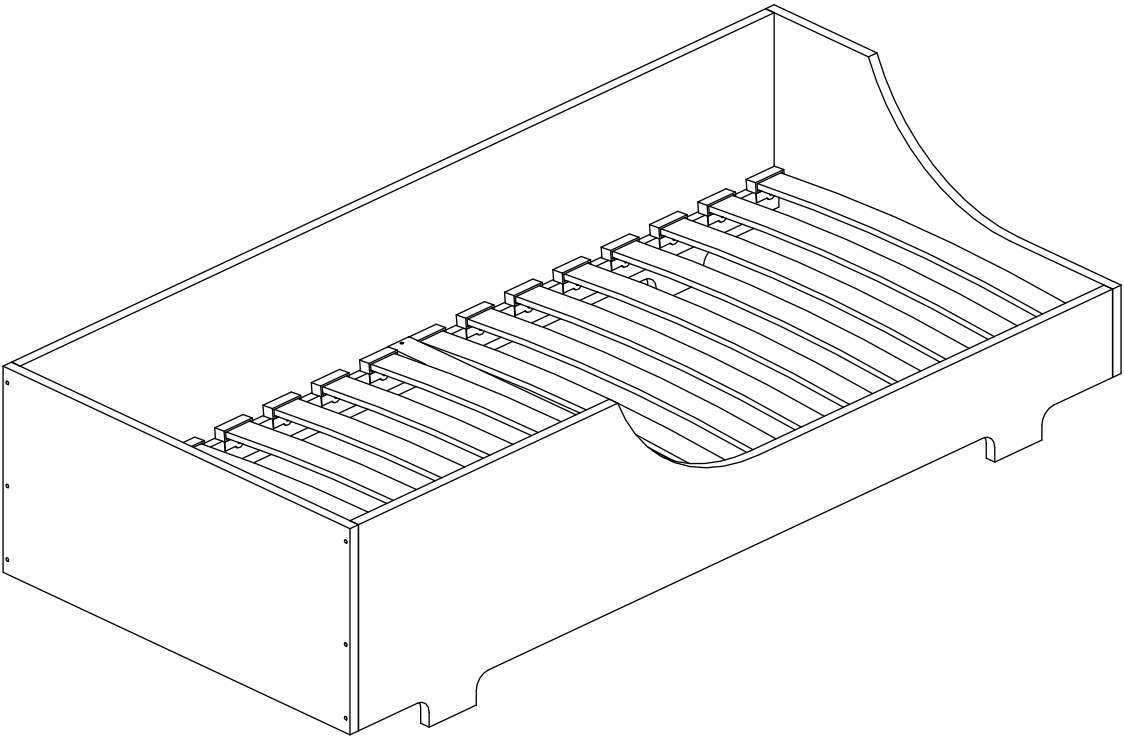
- BK1 - x1
- BK2 - x1
- LKS - x1
- S50 - x11
- W30 - x2

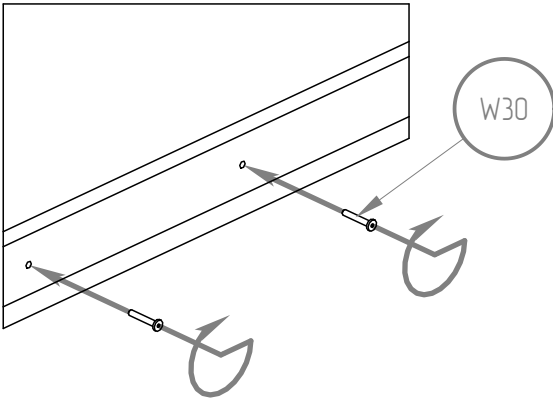


P - x32
ST - x16
W16 - x32

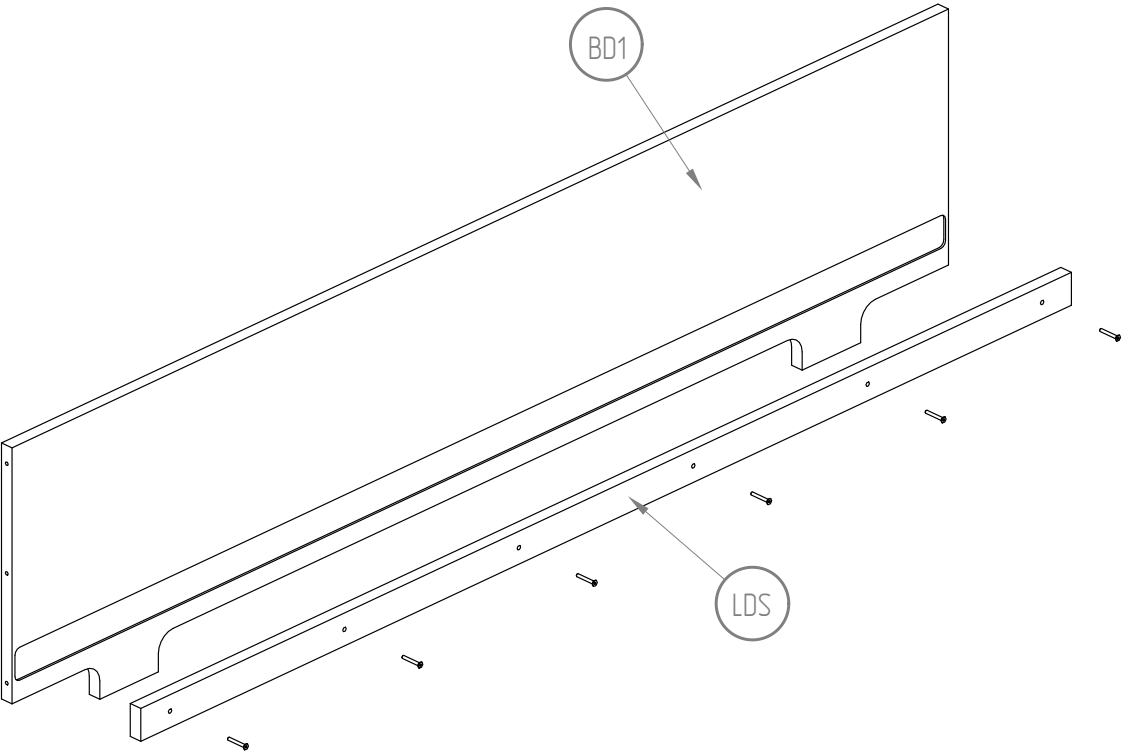


Ver. 2

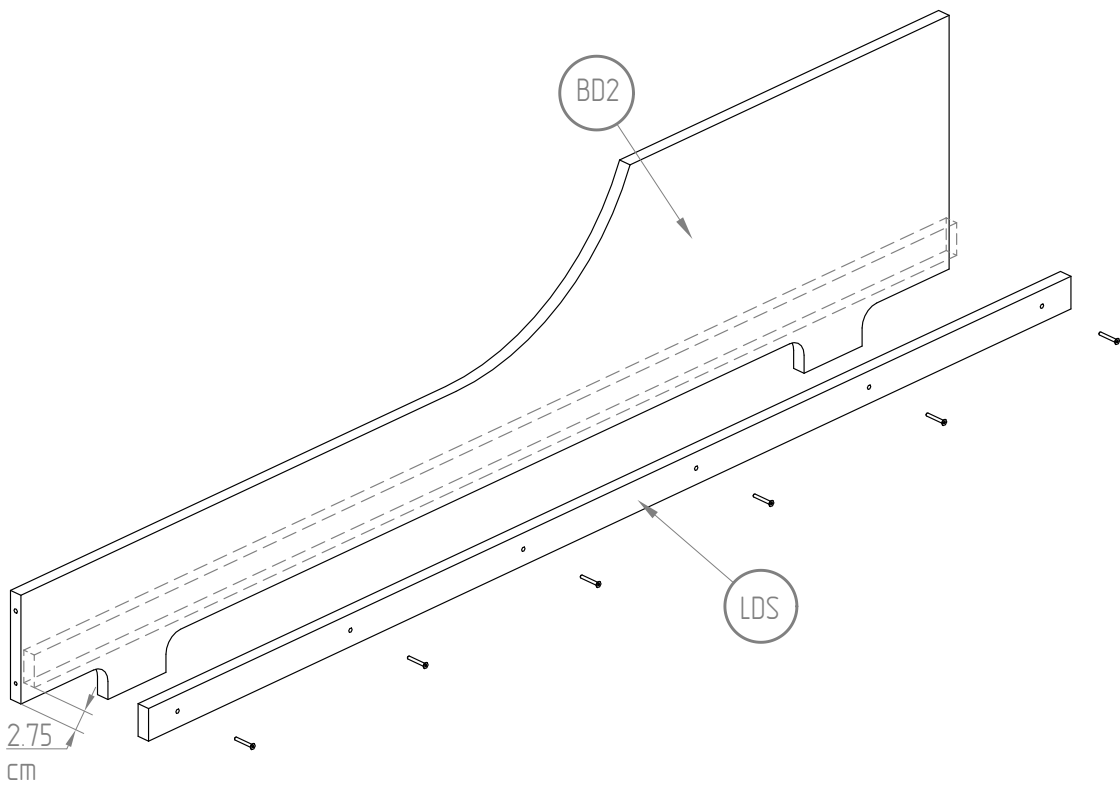
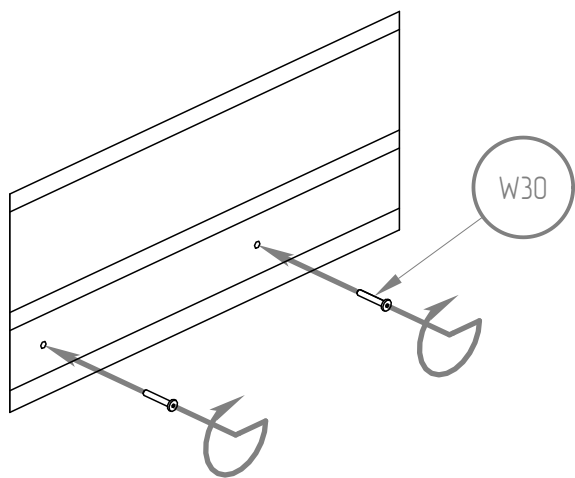


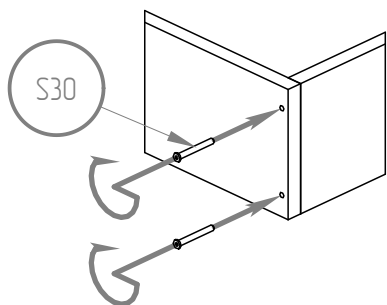


BD1 - x1
LDS - x1
W30 - x6

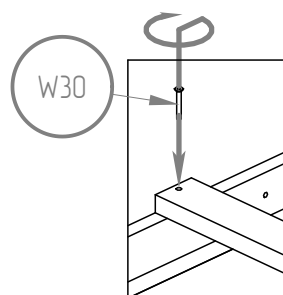
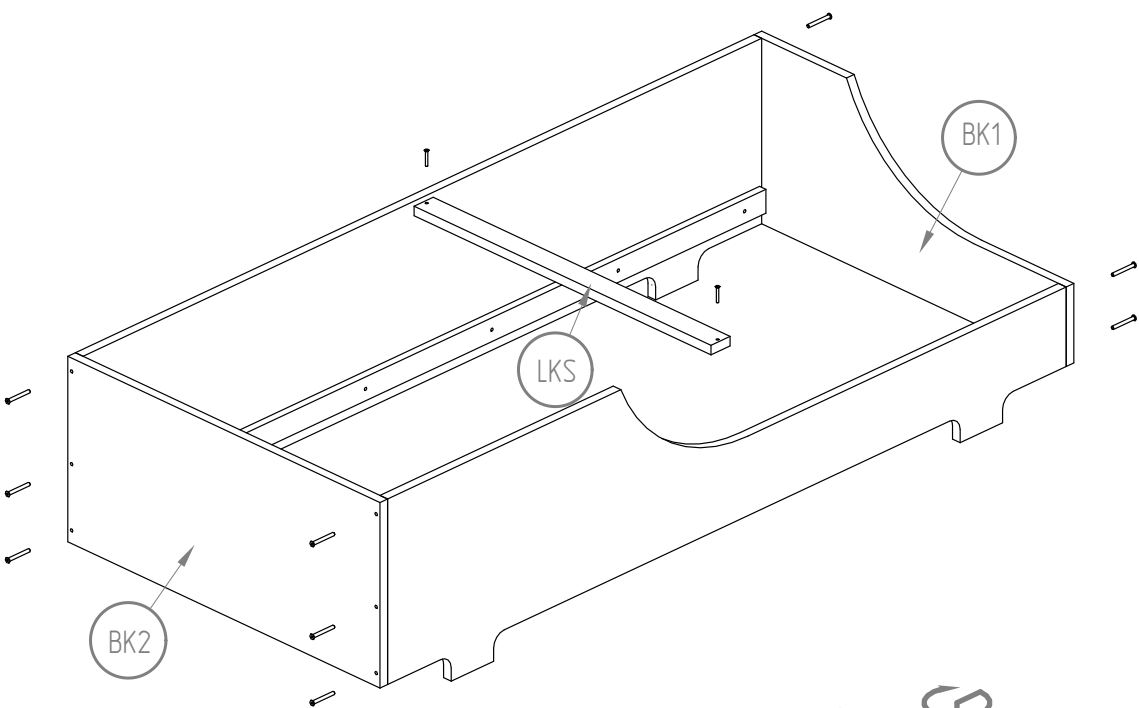


BD2 - x1
LDS - x1
W30 - x6





- BK1 - x1
- BK2 - x1
- LKS - x1
- S50 - x11
- W30 - x2



P - x32
ST - x16
W16 - x32

